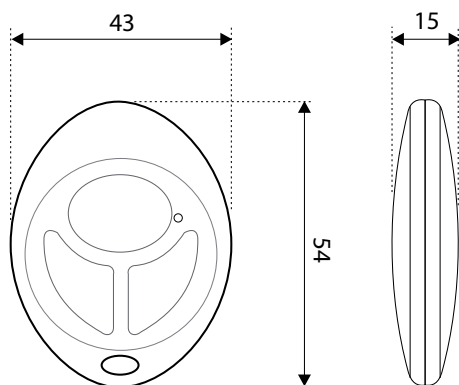


2/6-channel transmitter



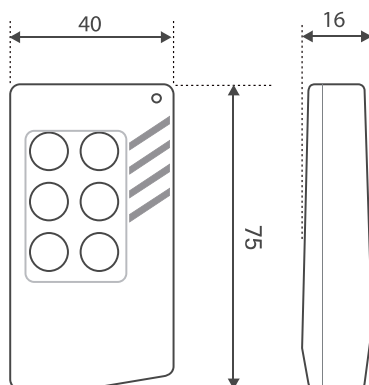
Small RF transmitter with unique code

- High performance due to a 3V lithium battery
- No power consumption in stand-by
- In compliance with European standards
 EN 45014, EN 300220, EN 301489, EN 60950



Technical specifications

Power consumption	10 mA
Frequency	433.92 MHz
Capacity (ERP)	0.5 mW
Channels	2
Battery	+3V battery
Battery life cycle	Min 3 to max 5 year
Dimensions	54 x 43 x 15 mm
Warranty	2 years
Reference	4-080405-030-00



Technical specifications

Power consumption	7 mA
Frequency	433.92 MHz
Capacity (ERP)	1 mW
Channels	6
Battery	12Vdc battery
Dimensions	75 x 40 x 16 mm
Warranty	2 years
Reference	4-080405-031-00

RFL-10



Personalised receiver with AT-RS485 interface

- The RFL-10 forms part of the access system, whereby the transmitter uses its unique code to communicate with the receiver. Using a data string, the receiver sends the code to the final access control system via the RS485 port; the system subsequently decides whether access is granted or not.
- Possibility of integration with Software Development Kit



Technical specifications

Connection	AT-RS485	
Power supply	12/24 VDC	
Power consumption	± 50 mA (12 VDC)	
Frequency	433.92 MHz	
Outputs	RS485	Potential-free relay contact
Dimensions	75 x 22 x 120 mm	
Mounting	Includes DIN-Rail mounting kit	
Settings	By means of DIP-switches	
Visualisation	via 3 LEDs: <ul style="list-style-type: none"> • Available voltage • Receipt signal • Card code accepted 	
Signalisation	Beep signal at start-up of the receiver and upon valid access	
Warranty	2 years	
Reference	1-040500-0001-000-000-00	

Antenna receiver



Vertical antenna receiver for outdoor use

- Available frequencies: 433.92 MHz or 868.3 MHz
- Supplied with a 2.5 m coax cable (50Ω)



Technical specifications

Impedance	50Ω
Base	PVC black
Antenna	Stainless steel black
Warranty	2 years
Reference	4-080405-0029-00