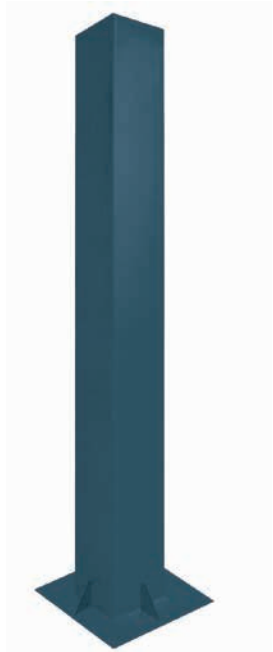


# BaseLine

Multifunctional column for mounting of access control, photocell detection, intercom, CCTV, ...

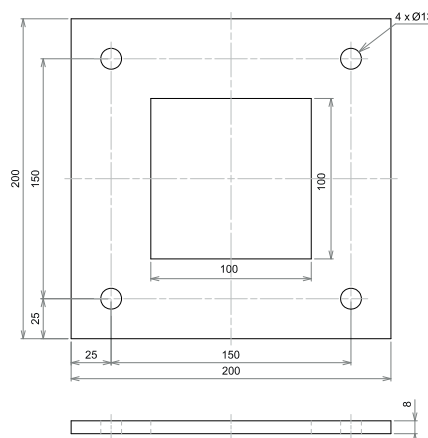
- Column **made of extruded aluminum.**
- **Finished in anthracite** ■ (RAL 7016) **powder coating.**
- **Easy** installation.
- Available at **different heights.**
- **No maintenance.**



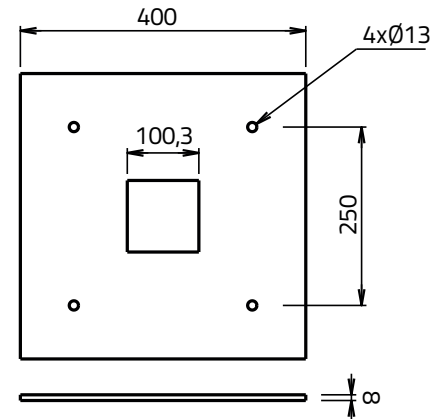
Heights	1,2 m	1,8 m	2,4 m	3,5 m	4 m	4,5 m	5 m
<b>Colour</b>	Standard RAL 7016 ■						
<b>Housing</b>	Extruded aluminum, thickness 3 mm						
<b>Dimensions column</b>	100 mm x 100 mm						
<b>Construction</b>	Welded construction						
<b>Fixation to the underground</b>	With expansion bolts or threaded rods						
<b>Weight (kg) ±</b>	4,7	6,7	8,7	12,8	13,8	14,8	15,8
<b>Dimensions base plate</b>	200 mm x 200 mm				400 mm x 400 mm		
<b>IP-range</b>	55						
<b>Warranty</b>	2 years						

## Dimensions base plate:

200 x 200 mm



400 x 400 mm



**Alphatronics**<sup>®</sup>  
Innovators in Access Technology



14-02-2019 ▪ The information given is subject to change without any notice.

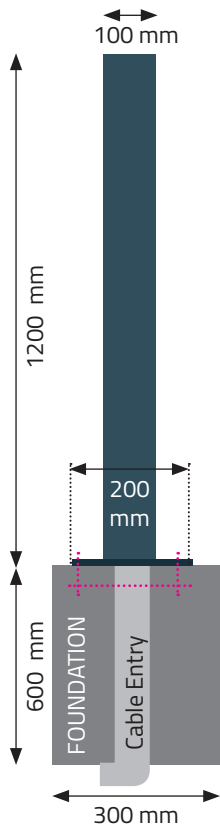
Copyright Alphatronics

Brandstraat 8a / 9160 Lokeren - Belgium ▪ P. +32 9 340 54 70 ▪ [www.alphatronics.be](http://www.alphatronics.be) ▪ [info@alphatronics.be](mailto:info@alphatronics.be)

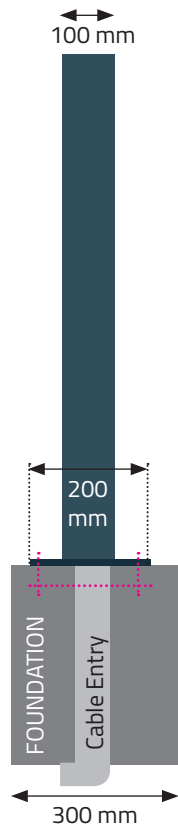
# Dimensions

## BaseLine

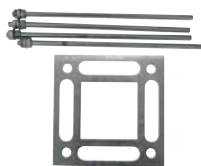
Side view



Front view

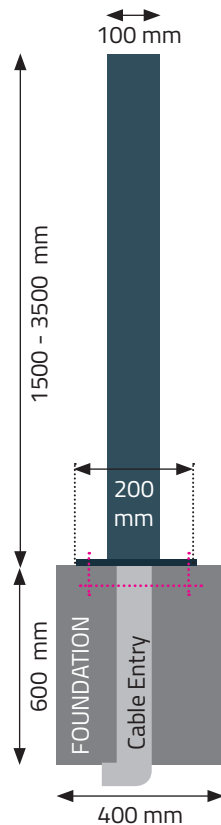


Positioning mold center distance 150 x 150 mm

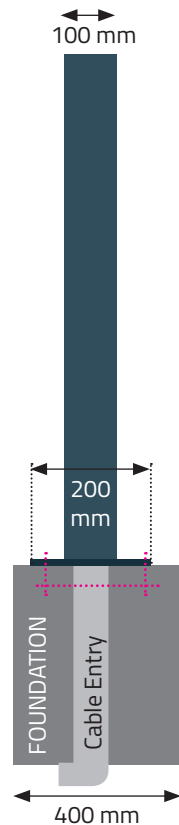


## BaseLine - Camera column

Side view



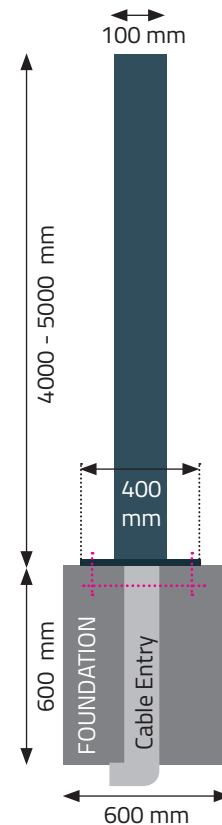
Front view



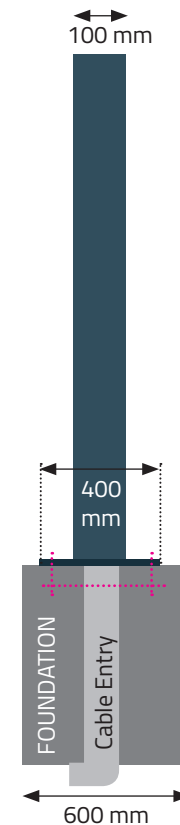
Positioning mold center distance 150 x 150 mm



Side view



Front view



Positioning mold center distance 250 x 250 mm



14-02-2019 • The information given is subject to change without any notice.