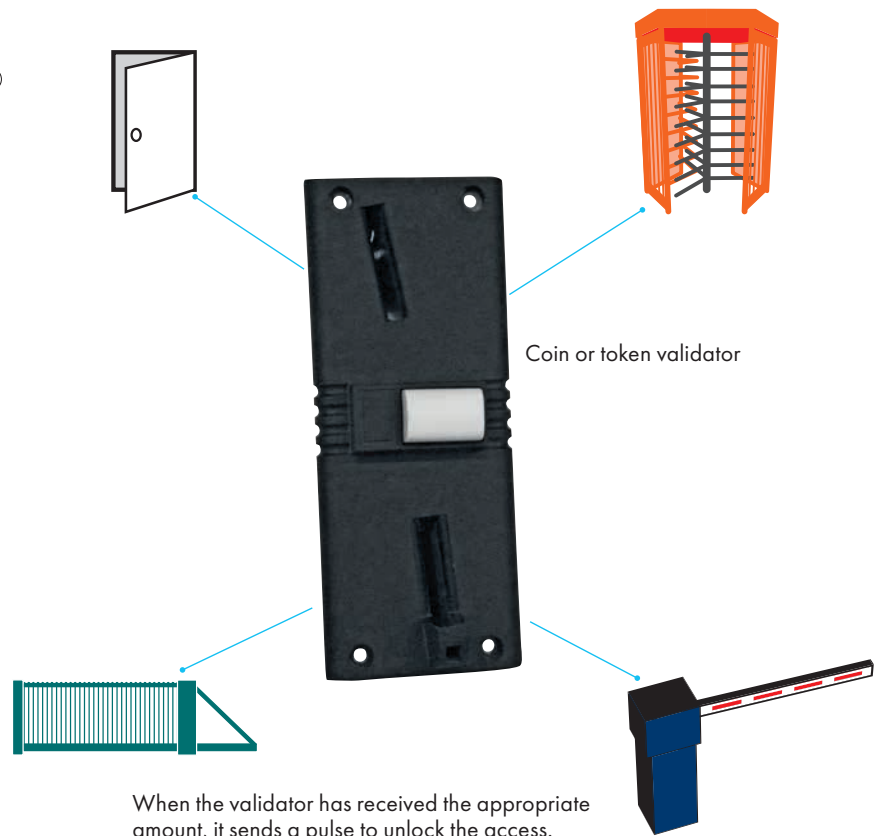
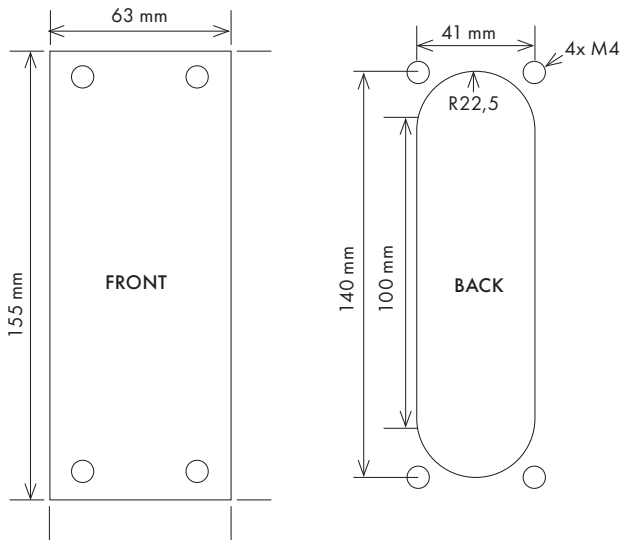


Coin or token validator

Modular and compact design



- Accept a fixed amount in an appropriate coins, there is no refund of change.
- Once the preset amount is added, the validator reaches a pulse to allow access.
- Tokens can be assigned a certain value.



Technical specifications

Power supply	10V until 16V
Dimensions	height: 155 mm - width: 63 mm - depth: 52 mm
Temperature range	-25°C until 70°C
Warranty	1 year
References	
totalizer stand alone	4-080808-0030-000